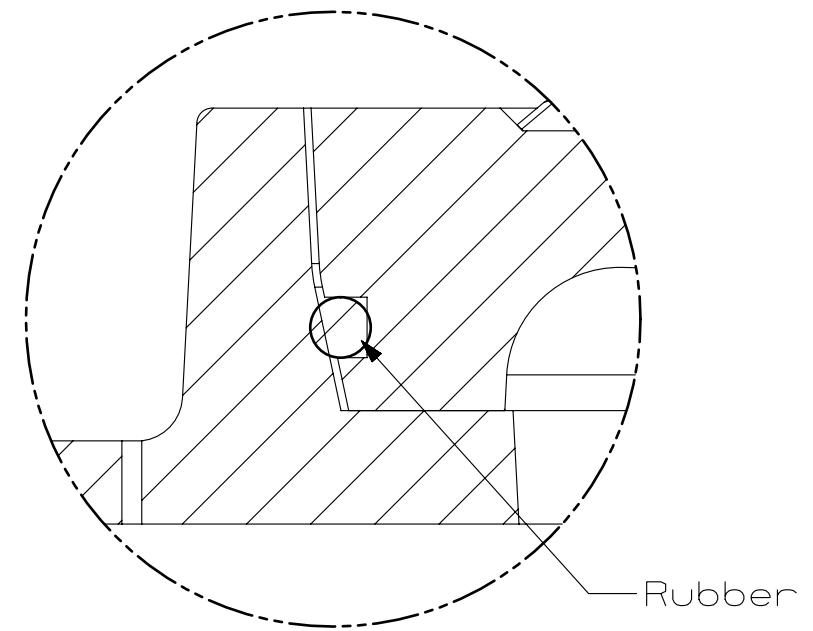


SECTION E - E



DETAIL G  
SCALE 1:1